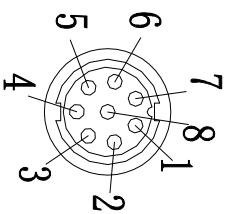
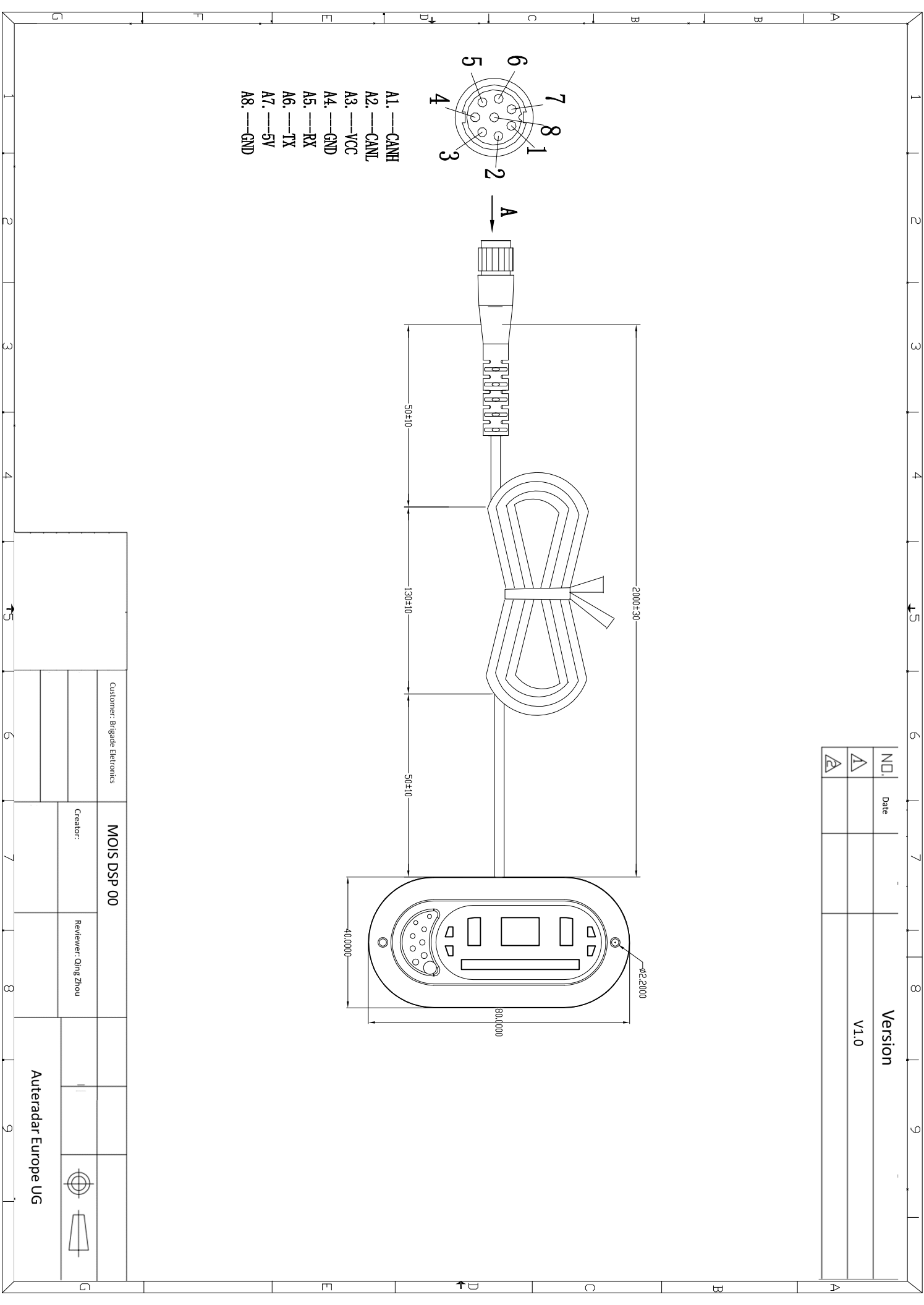
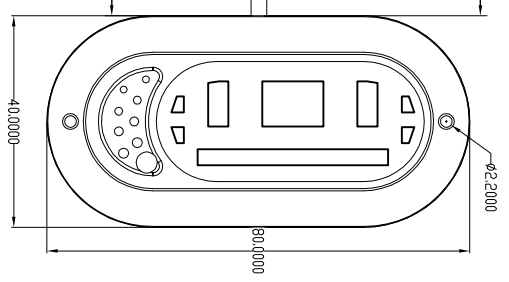
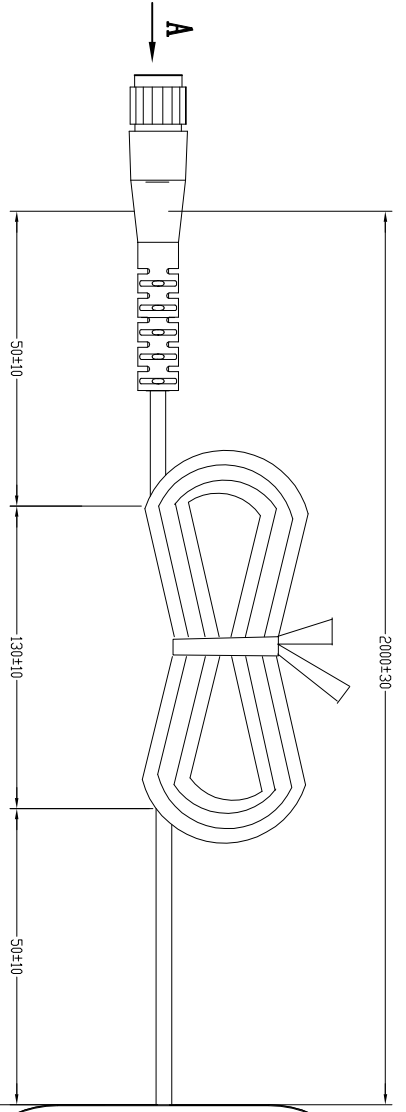


NO.	Date	Version
△		V1.0
△		



- A1. --- CANH
- A2. --- CANL
- A3. --- VCC
- A4. --- GND
- A5. --- RX
- A6. --- TX
- A7. --- 5V
- A8. --- GND



Customer: Brigade Electronics

MOIS DSP 00

Creator:

Reviewer: Qing Zhou

Auteradar Europe UG

